

SPECIFICATION

DATA SHEET

PRIMUS GENERAL PURPOSE – Large Steam Sterilizers

These sterilizers are designed for laboratory applications including research laboratories, bio-containment and animal care facilities. PRIMUS sterilizers are designed and manufactured in the USA according to Quality Management Systems which are in compliance with ISO 9001:2000, ISO 13485:2003 and FDA's Good Manufacturing Practice (GMP) for Medical Devices: General Regulation (21CFR Part 820). Large size sterilizers are one segment of 19 standard sizes manufactured by PRIMUS. We can also custom manufacture a sterilizer to meet your specifications.



Three 26" x 63" Pit-mounted Units

STERILIZER DESIGN

The pressure vessel is the heart of any sterilizer. PRIMUS offers simple, straight forward, design. All PRIMUS pressure vessels are constructed of solid stainless steel and are fabricated by PRIMUS in our quality controlled ASME facility. The interior chamber surface is polished to a mirror finish of $<10\mu$ in. Ra. The brilliant Pri-Mirror[®] reflective chamber finish sets the highest standard for cleanliness and offers easy spill clean-up and resistance to staining and degradation.

PRIMUS rectangular chambers eliminate the wasted space and high utility costs common to old-style cylindrical or elliptical chambers and jackets. This provides savings in operating cost and service.

All large sizes of PRIMUS sterilizers have pneumatically powered horizontal operating doors, designed to be efficient, reliable and inherently safe. To close the door, press and hold the door button,

if button is released before door is fully closed the door opens. An added safety feature, the doors stop automatically if an obstacle is encountered.

STERILIZER CYCLES

All PRIMUS steam sterilizers include Gravity, Vacuum and Liquid cycle settings. A Test/Vac cycle is provided for utilizing Bowie-Dick[™] tests.

General Purpose sterilizers provide for steam sterilization and decontamination of laboratory research and animal care products. Applications include wrapped and unwrapped hard goods, animal feed and bedding, cages and textiles. Liquids in self-venting and open containers are sterilized using Liquid cycle settings.

The time-tested and reliable PRIMUS PSS500 Microcomputer Control is an industrial microprocessor providing accuracy and automation for all customer requirements. This simple, versatile, control has become the first choice for both sterilizer users and service technicians.



PRIMUS Sterilizer Co., Inc. • 117 South 25th Street • Omaha, NE 68131

PURCHASING SPECIFICATION DATA SHEET

GENERAL *(Options italicized)*

All models include Vacuum, Gravity and Liquids cycles. *A Low Temperature Flowing Steam option provides flowing steam at low temperatures for Research laboratories for specific applications.*

VESSEL MATERIAL AND CONSTRUCTION

The sterilizer will have a double-wall design providing for a fully jacketed pressure vessel. The chamber cross section will be rectangular with width and height dimensions to include:

J	26"x63"x48"	N	35"x57"x86"
K	26"x63"x76"	O	49"x57"x86"
L	35"x57"x48"	P	49"x86"x86"
M	35"x57"x60"	Q	61"x86"x86"

The vessel material will be non-laminated solid stainless steel plate/sheet. The chamber, head-ring and door material will be 316L stainless steel with an interior Pri-Mirror® finish of <10µ in. Ra.

DESIGN and MANUFACTURING APPROVALS

The vessel will be designed and constructed to ASME code Section VIII Division I and pressure rated for 45 PSIG and full vacuum. ASME Code Stamp and U-1 form will bear the name of PRIMUS as the specified US manufacturer.

The sterilizer will be manufactured according to Quality Management Systems which are in compliance with ISO 9001:2000, ISO13485, CMDCAS and will be UL listed and in conformance with CSA requirements.

DOOR CONSTRUCTION

A pneumatically operated horizontally sliding door will be operable from the touchpad push button. To close door, depress/hold door button. If door button is released while door is closing, door reverses direction and opens. In the open position, the insulated door will be secured behind a panel preventing the operator from contact with hot surfaces. An interlock will prevent cycle start unless the door is fully closed and secured.

GENERAL CONSTRUCTION

The vessel will be insulated with 1" semi-rigid high temperature fiberglass board/blanket insulation overlaid with formed aluminum paneling and mounted in a structural steel frame. The frame will be enamel coated and fitted with adjustable legs on self-centering floor pads. The fascia and side panels will be 16-gauge, type 304 stainless-steel, removable for easy service access.

WATER CONSERVATION

To conserve water and assure effluent exhausted to drain is 140° F or below, PRIMUS provides quench water on demand for exhaust effluent.

EQUIPMENT WARRANTY

Sterilizer pressure vessels manufactured by PRIMUS are warranted against defects in workmanship and materials under normal use and operation for fifteen years where the sterilizer is continually maintained under PRIMUS service contract.

SERVICE and EQUIPMENT ACCESS

Standard service access, when facing the unit, will be from left side and top. Wiring will be laid side-by-side and mechanically secured flat against the metal insulation cover. All wiring will be clearly labeled or readily visible for visual tracing. Piping components will be threaded rigid brass and flared copper fittings, positioned with sufficient space for removal and replacement without disassembly of the entire piping assembly. Wiring and piping components will be non-proprietary, industrial grade, available through Authorized Service Agencies, local supply house, or direct from PRIMUS.

STEAM SOURCE

Steam will be from an in-house steam source in the quantity and quality specified. *Optional electric steam boiler, clean steam boiler or steam-to-steam generator may be specified. Contact PRIMUS for specific boiler information.*

CONTROLS

A PSS500 microcomputer will offer a selection of eight (8) separate programs for the sterilization of wrapped goods, hard-goods, liquids and test cycles. An optional automatic Vacuum Leak Test cycle is provided to ensure the seal integrity of the vessel and piping.

Cycle parameters may be set by the user and are adaptable to a wide range of products. Alarms are annunciated, displayed and printed. Cycle process parameters will be displayed and recorded throughout the cycle. A side-mounted control panel and a thermal printer dot-matrix technology, and 32 characters per line printing is provided. A copy of the sterilization cycle report will be available at the end of the run.



PRIMUS PSS500 and PRI-MATIC® CONTROL PANELS WITH PRINTER

HVAC DATA Heat loss, at ambient of 70° F.

	MODEL	KBTU'S/HR
SINGLE DOOR: Through one wall, at fascia	J	5
	K	5
	L	6
	M	6
	N	5
	O	11
	P	19
Q	24	
SINGLE DOOR: Through one wall, service area	J	11.8
	K	12
	L	9
	M	9
	N	9
	O	11.2
	P	17
Q	19	
SINGLE DOOR: Free standing, cabinet total	J	16
	K	16
	L	16
	M	17.5
	N	18
	O	24
	P	36
Q	43	

	MODEL	KBTU'S/HR
DOUBLE DOOR: Through one wall, at fascia	J	5
	K	5
	L	6
	M	6
	N	6
	O	11
	P	19
Q	24	
DOUBLE DOOR: Through one wall, service area	J	16
	K	16
	L	15
	M	15
	N	15
	O	22
	P	33
Q	39	
DOUBLE DOOR: Through two walls, at each fascia	J	5
	K	5
	L	6
	M	6
	N	6
	O	11
	P	19
Q	24	
DOUBLE DOOR: Through two walls, service area	J	10
	K	10
	L	8
	M	10
	N	10
	O	10
	P	14
Q	15.5	

SPECIFICATION DATA SHEET

SHIPPING DIMENSIONS, CUBAGE & WEIGHTS

Model Sterilizer Size inches/millimeters	J 26" x 63" x 48" 660.4 x 1600.2 x 1219.2	K 26" x 63" x 76" 660.4 x 1600.2 x 1930.4	L 35" x 57" x 48" 889 x 1447.8 x 1219.2	M 35" x 57" x 60" 889 x 1447.8 x 1524
Shipping Dimensions, Single Door ²	58 x 89.5 x 59.5 1473.2 x 2273.3 x 1511.3	58 x 89.5 x 87.5 1473.2 x 2273.3 x 2222.5	68.63 x 82.5 x 59.75 1743 x 2089.2 x 1517.7	68.63 x 82.5 x 71.75 1743 x 2089.2 x 1822.5
Shipping Dimensions, Double Door ²	58 x 89.5 x 60 1473.2 x 2273.3 x 1524	58 x 89.5 x 88 1473.2 x 2273.3 x 2235.2	68.63 x 82.5 x 60.75 1743 x 2089.2 x 1543.1	68.63 x 82.5 x 72.75 1743 x 2089.2 x 1847.9
Overall Width Dimensions	79 / 2006.6	79 / 2006.6	105 / 2667	105 / 2667
Knockdown Width Dimensions ³	40.5 / 1028.7	40.5 / 1028.7	48.31 / 1227.1	48.31 / 1277.1
Weight, Single Door	CONTACT PRIMUS FOR WEIGHTS			
Weight, Double Door				
Crated Weight (Additional)	VAN DELIVERY ONLY			
Crated Dimensions	70 x 93 x 74 1778 x 2362.2 x 1879.6	70 x 93 x 102 1778 x 2362.2 x 2590.8	81 x 87 x 74 2057.4 x 2209.8 x 1879.6	81 x 87 x 86 2057.4 x 2209.8 x 2184.4
Crated Cube	279 cu. ft. / 8 cu. m.	384 cu. ft. / 11 cu. m.	302 cu. ft. / 9 cu. m.	350 cu. ft. / 9.9 cu. m.
Loading Equipment	152 lbs/ 69 kg	390 lbs/ 177 kg	183 lbs/ 83 kg	380 lbs/ 172 kg
Boiler	785 lbs/ 356 kg	790 lbs/ 358 kg	785 lbs/ 356 kg	790 lbs/ 358 kg

Model Sterilizer Size inches/millimeters	N 35" x 57" x 86" 889 x 1447.8 x 2184.4	O 49" x 57" x 86" 1244.6 x 1447.8 x 2184.4	P 49" x 86" x 86" 1244.6 x 2184.4 x 2184.4	Q 61" x 86" x 86" 1549.4 x 2184.4 x 2184.4
Shipping Dimensions, Single Door ²	69.5 x 82.5 x 97.5 1765.3 x 2089.2 x 2476.5	83.63 x 82.63 x 101.2 2142.2 x 2098.8 x 2570.2	91 x 119.5 x 101.5 2311.4 x 3035.3 x 2578.1	103 x 119.5 x 101.5 2616.2 x 3035.3 x 2578.1
Shipping Dimensions, Double Door ²	69.5 x 82.5 x 98.5 1765.3 x 2089.2 x 2501.9	83.63 x 82.63 x 102.2 2124.2 x 2098.8 x 2595.9	91 x 119.5 x 102.5 2311.4 x 3035.3 x 2603.5	103 x 119.5 x 102.5 2616.2 x 3035.3 x 2603.5
Overall Width Dimensions	105 / 2667	126 / 3200.4	133.5 / 3390.9	145.5 / 3695.7
Knockdown Width Dimensions ³	48.31 / 1227.1	62.38 / 1584.5	70.63 / 1794	82.63 x 2098.8
Weight, Single Door	CONTACT PRIMUS FOR WEIGHTS			
Weight, Double Door				
Crated Weight (Additional)	VAN DELIVERY ONLY		FLAT BED DELIVERY	
Crated Dimensions	82 x 87 x 112 2082.8 x 2209.8 x 2844.8	96 x 87 x 116 2438.4 x 2209.8 x 2946.4	104 x 125 x 117 2641.6 x 3175 x 2971.8	116 x 125 x 117 2964.4 x 3175 x 2971.8
Crated Cube	494 cu ft/ 14 cu m	561 cu ft/ 16 cu m	880 cu ft/ 25 cu m	981 cu ft/ 28 cu m
Loading Equipment	408 lbs/ 185 kg	420 lbs/ 191 kg	460 lbs/ 209 kg	528 lbs/ 240 kg
Boiler	CONTACT PRIMUS			

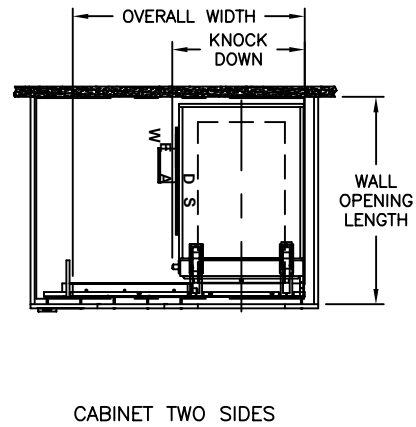
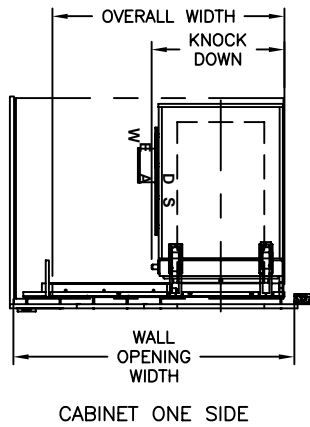
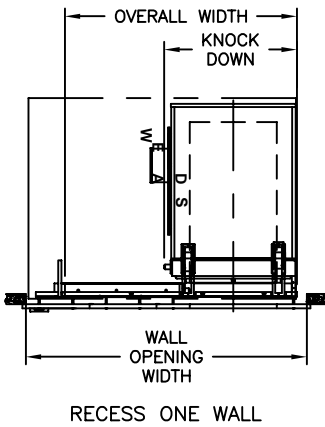
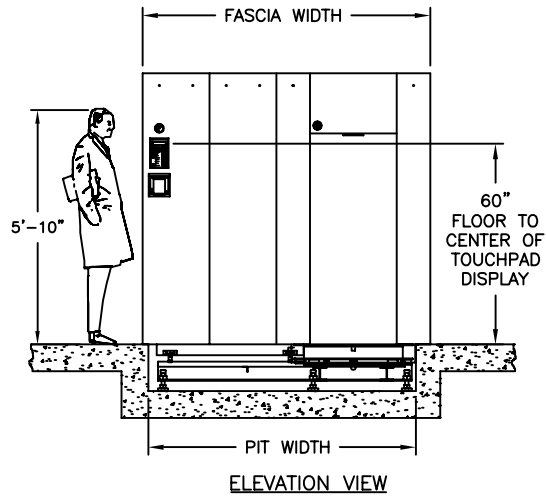
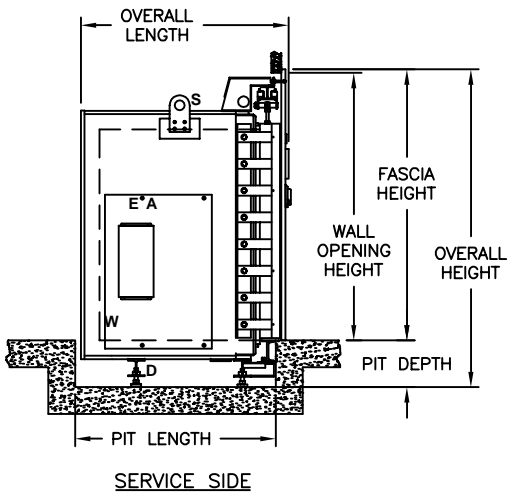
1. Door beams on all units may be split for shipping purpose.
2. Shipping dimensions are measured to the edge of the heat exchanger and include plumbing on, split beams removed, where applicable, front stainless panel and printer removed.
3. Knock Down is vessel dimension only, dimension does not include plumbing, electrical or heat exchanger. Special Order Only knock down must be indicated when ordering.



PRIMUS General Purpose - Large Sized Autoclaves

SPECIFICATION DATA SHEET

SINGLE DOOR



PLAN VIEWS

*Refer to General Arrangement (GA) drawings for details and final connection point to utility services (S-Steam, W-Water, D-Drain, E-Electrical, A-Air).



PRIMUS General Purpose - Large Sized Autoclaves

VOLUME/DIMENSIONS CHART SINGLE DOOR

SPECIFICATION DATA SHEET

MODEL	J	K	L	M
Chamber Size (w x h x l) inches/millimeters	26 x 63 x 48 660 x 1600 x 1219	26 x 63 x 76 660 x 1600 x 1930	35 x 57 x 48 889 x 1448 x 1219	35 x 57 x 60 889 x 1448 x 1524
Chamber Capacity	45.5 cu. ft. / 1.29 cu. m.	72.0 cu. ft. / 2.04 cu. m.	55.4 cu. ft. / 1.57 cu. m.	69.3 cu. ft. / 1.96 cu. m.
Overall Width	79.00 / 2006.6	79.00 / 2006.6	105.00 / 2667	105.00 / 2667
Knockdown Width	40.5 / 1028.7	40.5 / 1028.7	48.31 / 1227.1	48.31 / 1227.1
Overall Height ¹	109.00 / 2768.6	109.00 / 2768.6	104.00 / 2641.6	104.00 / 2641.6
Overall Length (SD) ²	64.00 / 1625.6	92.00 / 2336.8	62.25 / 1581.2	74.25 / 1886
Wall Opening Width ³	84.00 / 2133.6	84.00 / 2133.6	110.00 / 2794	110.00 / 2794
Wall Opening Height	94.00 / 2387.6	94.00 / 2387.6	87.00 / 2209.8	87.00 / 2209.8
Wall Opening Length	62.25 / 1581.15	90.25 / 2292.35	60.63 / 1540	72.63 / 1844.8
Fascia Width ¹	86.00 / 2184.4	86.00 / 2184.4	112.00 / 2844.8	112.00 / 2844.8
Fascia Height	95.00 / 2413	95.00 / 2413	88.00 / 2235.2	88.00 / 2235.2

MODEL	N	O	P	Q
Chamber Size (w x h x l) inches/millimeters	35 x 57 x 86 889 x 1448 x 2184	49 x 57 x 86 1245 x 1448 x 2184	49 x 86 x 86 1245 x 2184 x 2184	61 x 86 x 86 1549 x 2184 x 2184
Chamber Capacity	99.3 cu. ft. / 2.81 cu. m.	139.0 cu. ft. / 3.94 cu. m.	209.7 cu. ft. / 5.94 cu. m.	261.1 cu. ft. / 7.39 cu. m.
Overall Width	105 / 2667	126 / 3200.4	133.5 / 3390.9	145.5 / 3695.7
knockdown Width	48.31 / 1227.1	62.38 / 1584.5	70.63 / 1794	82.63 / 2098.8
Overall Height ¹	104.00 / 2641.6	106.00 / 2692.4	143.00 / 3632.2	143.00 / 3632.2
Overall Length (SD) ²	100.25 / 2546.4	105.06 / 2668.6	105.25 / 2673.4	105.25 / 2673.35
Wall Opening Width ³	110.00 / 2794	131.00 / 3327.4	138.00 / 3505.2	173.00 / 4394.2
Wall Opening Height	87.00 / 2209.8	87.00 / 2209.8	124.00 / 3149.6	124.00 / 3149.6
Wall Opening Length	98.63 / 2505.2	104.13 / 2644.9	104.13 / 2644.9	104.13 / 2644.9
Fascia Width ¹	112.00 / 2844.8	133.00 / 3378.2	140.00 / 3556	175.00 / 4445
Fascia Height	88.00 / 2235.2	88.00 / 2235.2	125.00 / 3175	125.00 / 3175

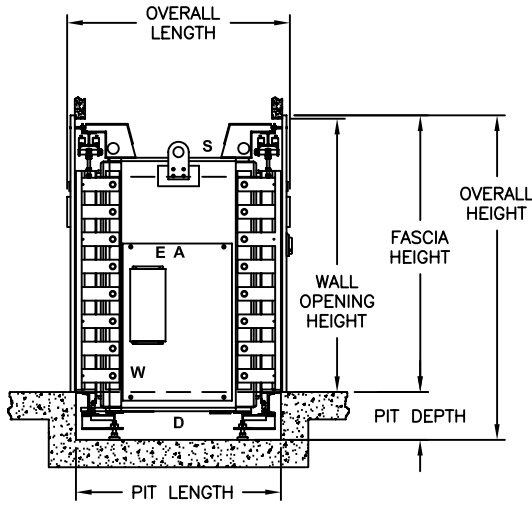
1. Fascia extends 1" beyond wall opening on each side overlapping the wall and top sealing the opening.
2. Allow minimum 2" clearance at rear of recessed unit only. Cabinet side models have rear clearance built in.
3. Contact PRIMUS for alternative wall opening.
4. Standard Left Side Service/equipment access shown. Optional right side access is available.



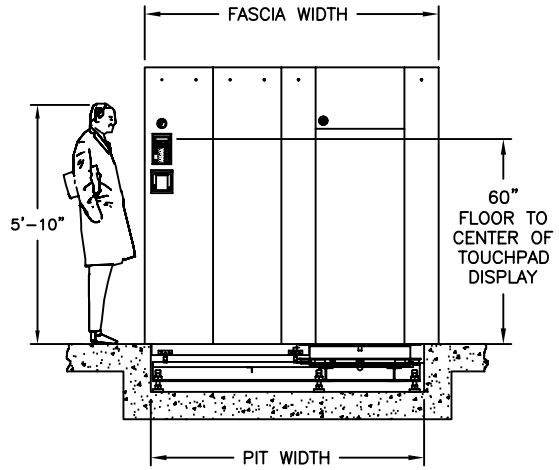
PRIMUS General Purpose - Large Sized Autoclaves

SPECIFICATION DATA SHEET

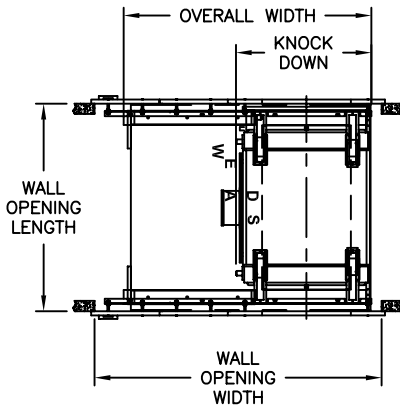
DOUBLE DOOR



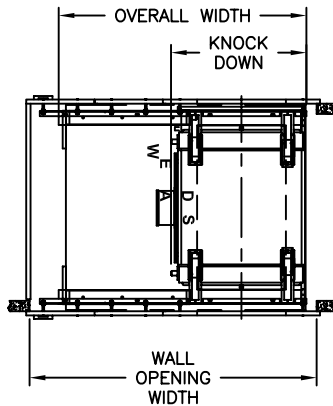
SERVICE SIDE



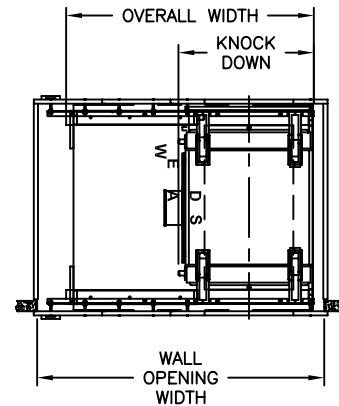
ELEVATION VIEW



RECESS TWO WALLS



RECESS ONE WALL
CABINET ONE SIDE



RECESS ONE WALL
CABINET TWO SIDES

PLAN VIEWS

*Refer to General Arrangement (GA) drawings for details and final connection point to utility services (S-Steam, W-Water, D-Drain, E-Electrical, A-Air).



PRIMUS General Purpose - Large Sized Autoclaves

VOLUME/DIMENSIONS CHART DOUBLE DOOR

SPECIFICATION DATA SHEET

MODEL	J	K	L	M
Chamber Size (w x h x l) inches/millimeters	26 x 63 x 48 660 x 1600 x 1219	26 x 63 x 76 660 x 1600 x 1930	35 x 57 x 48 889 x 1448 x 1219	35 x 57 x 60 889 x 1448 x 1524
Chamber Capacity	45.5 cu. ft. / 1.29 cu. m.	72.0 cu. ft. / 2.04 cu. m.	55.4 cu. ft. / 1.57 cu. m.	69.3 cu. ft. / 1.96 cu. m.
Overall Width	79.00 / 2006.6	79.00 / 2006.6	105.00 / 2667	105.00 / 2667
Knockdown Width	40.5 / 1028.7	40.5 / 1028.7	48.31 / 1227.1	48.31 / 1227.1
Overall Height ¹	109.00 / 2768.6	109.00 / 2768.6	104.00 / 2641.6	104.00 / 2641.6
Overall Length (DD)	66.5 / 1689.1	94.5 / 2400.3	67.75 / 1720.9	79.75 / 2025.7
Wall Opening Width ²	84.00 / 2133.6	84.00 / 2133.6	110.00 / 2794	110.00 / 2794
Wall Opening Height	94.00 / 2387.6	94.00 / 2387.6	87.00 / 2209.8	87.00 / 2209.8
Wall Opening Length	62.44 / 1585.98	90.44 / 2297.18	62.25 / 581.2	74.25 / 1886
Fascia Width ¹	86.00 / 2184.4	86.00 / 2184.4	112.00 / 2844.8	112.00 / 2844.8
Fascia Height	95.00 / 2413	95.00 / 2413	88.00 / 2235.2	88.00 / 2239.2

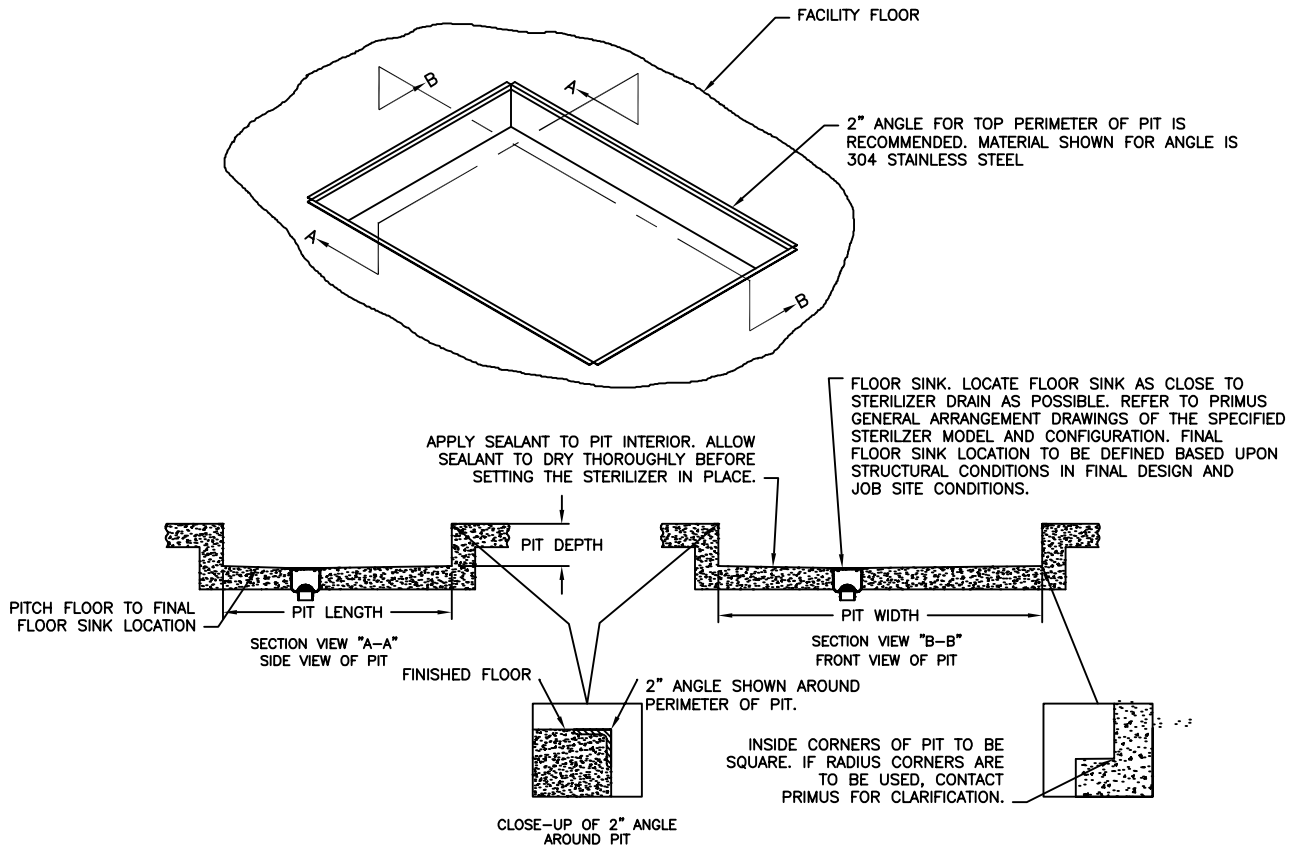
MODEL	N	O	P	Q
Chamber Size (w x h x l) inches/millimeters	35 x 57 x 86 889 x 1448 x 2184	49 x 57 x 86 1245 x 1448 x 2184	49 x 86 x 86 1245 x 2184 x 2184	61 x 86 x 86 1549 x 2184 x 2184
Chamber Capacity	99.3 cu. ft. / 2.81 cu. m.	139.0 cu. ft. / 3.94 cu. m.	209.7 cu. ft. / 5.94 cu. m.	261.1 cu. ft. / 7.39 cu. m.
Overall Width	105 / 2667	126 / 3200.4	133.5 / 3390.9	145.5 / 3695.7
Knockdown Width	48.31 / 1227.1	62.38 / 1584.5	70.63 / 1794	82.63 / 2098.8
Overall Height ¹	105.00 / 2667	126.00 / 3200.4	133.5 / 3390.4	145.5 / 3695.7
Overall Length (DD)	105.75 / 2686.1	109.13 / 2771.8	109.38 / 2778.1	109.38 / 2778.1
Wall Opening Width ²	110.00 / 2794	131.00 / 3327.4	138.00 / 3505.2	173.00 / 4394.2
Wall Opening Height	87.00 / 2209.8	87.00 / 2209.8	124.00 / 3149.6	124.00 / 3149.6
Wall Opening Length	100.25 / 2546.35	104.00 / 2641.6	104.13 / 2644.8	104.13 / 2644.8
Fascia Width ¹	112.00 / 2844.8	133.00 / 3378.2	140.00 / 3556	175.00 / 4445
Fascia Height	88.00 / 2235.2	88.00 / 2235.2	125.00 / 3175	125.00 / 3175

1. Fascia extends 1" beyond wall opening on each side overlapping the wall and top sealing the opening.
2. Contact PRIMUS for alternative wall opening.
3. Standard Left Side Service/equipment access shown. Optional right side access is available.



PRIMUS General Purpose - Large Sized Autoclaves

PIT INSTALLATION DETAILS



Drawing is a general example of PRIMUS' pit installation. Refer to PRIMUS' General Arrangement (GA) drawings for exact dimensions and pit installation details. Prior to installing your PRIMUS sterilizer verify the pit dimensions are correct with the PRIMUS GA Drawing, ensure the pit is square, clean and sealed. *Contact PRIMUS for further pit installation information.*

PIT DIMENSIONS CHART

MODEL	J	K	L	M
Chamber Size (w x h x l) inches/millimeters	26 x 63 x 48 660 x 1600 x 1219	26 x 63 x 76 660 x 1600 x 1930	35 x 57 x 48 889 x 1448 x 1219	35 x 57 x 60 889 x 1448 x 1524
Pit Depth	14.00 / 355.6	14.00 / 355.6	16.00 / 406.4	16.00 / 406.4
Pit Length (SD)	60.00 / 1524	88.00 / 2235.2	60.00 / 1524	72.00 / 1828.8
Pit Length (DD)	58.50 / 1485.9	86.50 / 2197.1	58.00 / 1473.2	70.00 / 1778
Pit Width	80.00 / 2032	80.00 / 2032	96.00 / 2438.4	96.00 / 2438.4

MODEL	N	O	P	Q
Chamber Size (w x h x l) inches/millimeters	35 x 57 x 86 889 x 1448 x 2184	49 x 57 x 86 1245 x 1448 x 2184	49 x 86 x 86 1245 x 2184 x 2184	61 x 86 x 86 1549 x 2184 x 2184
Pit Depth	16.00 / 406.4	18.00 / 457.2	18.00 / 457.2	18.00 / 457.2
Pit Length (SD)	98.00 / 2489.2	100.00 / 2540	100.00 / 2540	100.00 / 2540
Pit Length (DD)	96.00 / 2438.4	96.88 / 2460.6	97.50 / 2476.5	97.50 / 2476.5
Pit Width	96.00 / 2438.4	130.00 / 3302	138.00 / 3505.2	165.00 / 4191

SPECIFICATION DATA SHEET

ARCHITECTURAL NOTES:

1. Allow sufficient space for traps, shut-off's, filters and other utility supply components.
2. Utility (service disconnects) shall be provided and installed "By Others".
3. Provide maximum mechanical and service access space, a minimum of 24", additional space required when boiler specified. See General Arrangement drawing for placement of ancillary equipment and service access.
4. Some options affect utility services and overall dimensions.
5. The Manufacturer's Equipment Warranty does not cover failure due to improper utility provisions.
6. Drawings not to scale.
7. Wall thickness must be provided on double door models recessed through 1 wall, with cabinet sides.
8. Electric Vacuum Pump is standard on Models N, O, P and Q.

UTILITY SERVICES

Provide utility services within 6'-0" of final connection to sterilizer. Optimum sterilizer performance requires the specified utilities.

MODEL	STEAM (S) Building Steam Supply · Pipe Size: See Below · Quality: Condensate free 97% to 100% saturated vapor (suitably trapped to ensure dry steam and filtered to remove particulates) · Pressure: 50-80 PSIG Dynamic Note: 1.) Steam-to-steam generator requires minimum pressure 65 PSIG house steam		WATER (W) Cold Water Supply · Pipe Size: See Below · Temperature: < 70° F · Pressure: 50-70 PSIG Dynamic		DRAIN (D) Building Drain System Minimum 2" · Location: Locate floor sink in service area Note: 1.) Exhaust discharge is cooled to < 140°F 2.) 12" x 12" x 8" floor sink is recommended by PRIMUS 3.) Floor should be sloped to drain		Air Instrument Air · Connection: See Below · Quality: Dry and oil free · Pressure: 60-80 PSI Dynamic		ELECTRICAL (E) Building Power Supply · Volts: 110 · Phase: Single · Amps: 10 Note: Provide dedicated circuit to sterilizer controls. If optional boiler is specified, do not share this service	
	NPT	LBS/HR (KG/HR)	NPT	GPM (MAX) (Liter)	NPT (Discharge Pipe Size)		NPT			
J	1"	364.0 (165.1)	3/4"	14 (53)	1"		1/4"			
K	1"	480.0 (217.72)	1"	25 (95)	1 1/4"		1/4"			
L	1"	430.0 (195.0)	1"	25 (95)	1 1/4"		1/4"			
M	1"	480.0 (217.72)	1"	25 (95)	1 1/4"		1/4"			
N	1"	685.0 (310.7)	1"	25 (95)	1 1/4"		1/2"			
O	1"	890.0 (403.7)	1"	25 (95)	1 1/4"		1/2"			
P	1 1/2"	1210.0 (548.85)	1 1/2"	30 (114)	1 1/2"		1/2"			
Q	1 1/2"	1440.0 (653.2)	2"	30 (114)	1 1/2"		1/2"			

Use the following pages to custom design your sterilizer by checking the boxes of the configuration and options required for your project. Transfer all items checked to the Specification Worksheet (Pages 15 & 16) and fax to PRIMUS Sales Department or to your local Sales Representative for a quotation. If you do not find an option or size listed to meet your requirements, please contact our Project Manager for additional information and assistance.

Model Number Notation

SD = Single Door
DD = Double Door

↓

PSS - -M - -

↑ ↑ ↑ PSS5 Control = 5 Pri-Matic = 6 ControlLogix = 7 Trinity Control = 8	J K L M N O P Q	S = House Steam E = Electric Boiler P = Steam to Steam
---	--------------------------------------	--

Five models are offered:

J - 26" x 63" x 48"

K - 26" x 63" x 76"

L - 35" x 57" x 48"

M - 35" x 57" x 60"

N - 35" x 57" x 86"

O - 49" x 57" x 86"

P - 49" x 86" x 86"

Q - 61" x 86" x 86"

A detailed formatted specification, suitable for inclusion in formal contract documents, is available on request.

Note: Use the above format to determine PRIMUS Model number and insert below and on Page 15, Specification Worksheet.

PRIMUS General Purpose Steam Pressure Sterilizer, Model Number PSS_____.

SELECT CONFIGURATION

Door

- GDA - Single Door
- GDB - Double Door

Cabinet

- GCD - Panels Both sides
- GCCL - Left Side Panel
- GCCR - Right Side Panel

Recessed

- GCA - One wall
- GCB - Two walls

Service and Equipment Access

- Left Side (Standard)
- Right Side

Steam Source

- | | | |
|--|--|--|
| <ul style="list-style-type: none"> <input type="checkbox"/> House Supply <input type="checkbox"/> Electric Boiler^{1,2,3} <ul style="list-style-type: none"> <input type="checkbox"/> GEB1 - 208/3 phase <input type="checkbox"/> GEB2 - 240/3 phase <input type="checkbox"/> GEB3 - 480/3 phase <input type="checkbox"/> Other _____ <input type="checkbox"/> GEB0⁵- Auto Blowdown | <ul style="list-style-type: none"> <input type="checkbox"/> Clean Steam² <ul style="list-style-type: none"> <input type="checkbox"/> GEBC1 - 208/3 phase³ <input type="checkbox"/> GEBC2 - 240/3 phase <input type="checkbox"/> GEBC3 - 480/3 phase <input type="checkbox"/> Other _____ | <ul style="list-style-type: none"> <input type="checkbox"/> Steam to Steam² <ul style="list-style-type: none"> <input type="checkbox"/> GSCS1⁴ - Pure Steam Dbl Tube <input type="checkbox"/> GSCS2 - Clean Steam Sgl Tube <input type="checkbox"/> GSCS3⁴ - Clean Steam Sgl Tube Sanitary <input type="checkbox"/> Other _____ |
|--|--|--|

1. Electric boilers are available in Carbon Steel or Stainless Steel.
2. Contact PRIMUS for overall dimensions and utility connections.
3. All models are stand-alone.
4. GMP Validatable Option Only, sanitary piping required.
5. If LWC is required, "the automatic" feature is disabled. The boiler will need to be manually reset.

RESEARCH & LABORATORY CONFIGURATIONS

Clean Steam Sterilizers GP9

For cell/tissue culture applications. This option provides direct connection to a house-source of clean steam. Includes threaded stainless piping and components to chamber. If clean steam is the only steam source available, specify option GP9.1 for stainless piping to jacket. For alternate sources to generate clean steam, specify electric clean steam boilers (stainless steel), or when house steam is available, specify steam-to-steam generators. (Stainless steel heat exchanger).

	GP9	Clean Steam to Chamber, SS Threaded Piping
	GP9.1	Clean Steam to Jacket, SS Threaded Piping

Note: See Steam Source on previous page

Low Temperature Flowing Steam GP14

For media preparation, formula and similar uses. Pasteurization is accomplished with flowing steam. In addition to standard sterilizer temperature ranges,

this option allows cycles to operate in the range of 168°F (76°C) to 220°F (104°C). Not available when effluent configured sterilizer option GP8 is specified.

Note: GP14 not available if option GP8, Effluent Configured Sterilizer, is specified.

Air-over Cooling GP11

Provides a means of rapidly cooling sterilized load. Effective to decrease cycle times with liquid loads. Filtered ambient temperature air displaces steam under pressure during exhaust cycle to rapidly cool load and prevent boil-over.

Control Cycle on Load Temperature GC24

Used to establish the most beneficial cycle temperature and exhaust rate parameters. Monitors load temperature and controls the start of sterilization. Which will establish optimal parameters for liquid loads and for loads with complex load geometries and a difficult path for steam penetration.

Note: See additional Bio-Containment Options

GMP VALIDATABLE CONFIGURATIONS

PRIMUS offers our Bio→Pharma® line of validatable sterilizers for Pharmaceutical applications. PRIMUS General Purpose sterilizers may be configured to be validatable, in accordance with the customer's specific requirements. To assure a compatible configuration is being specified, complete the worksheet and submit to PRIMUS Validatable Sterilizer Product Manager for review at validatable@primus-sterilizer.com.

CONTROLS AND RELATED OPTIONS

(Contact PRIMUS for details and performance specifications)

PSS500 Control GC6

PSS500 microcomputer with eight (8) cycles; seven (7) programmable and 1 preset Test cycle are standard. A vertical touchpad contains a Liquid Crystal Display (LCD) mounted on a side-mounted control panel with a thermal printer. Cycle progression is displayed by Light Emitting Diodes (LEDs) on the operator panel and printed, 32 characters per line printing. A second copy of the entire sterilization cycle printable at the end of the run. (If the reprint button is pressed on the printer, Cybertech printer only.)

cycles are configurable by modifying the cycle parameters for each. Two dedicated cycles are available for performing vacuum leak test and sterilize filter.

PSS6 Pri-Matic® Control GC1

Pri-Matic® Control System uses the Allen-Bradley SLC 500 Programmable Logic Controller (PLC) with an Allen-Bradley Panel View 1000 Operator Interface Terminal (OIT) and the Pri-Matic® software package to provide automatic cycle operation. Pri-Matic® offers a total of fifteen cycles, with thirteen standard cycles available for product sterilization. Standard

PSS7 Control System GC1.1

PSS7 uses the Allen-Bradley ControlLogix Series 5555 PLC (Ethernet) and PanelView Plus OIT in place of the SLC500 PLC and standard PanelView. ControlLogix provides graphical color touch screen capability, real time process graph and the ability to standardize control systems throughout a facility. PSS7 offers a total of fifteen cycles, with thirteen standard cycles available for product sterilization. Standard cycles are configurable by modifying the cycle parameters for each. Two dedicated cycles are available for performing vacuum leak test and sterilizer filter.

CONTROLS AND RELATED OPTIONS (Con't)

(Contact PRIMUS for details and performance specifications)

PSS8 Trinity Control GCT

PSS800 microcomputer with a selection of twenty-five (25) separate programs for sterilization of wrapped goods, hard goods, liquids and test cycles. Trinity controller has a color touch sensitive screen with 30 x 40 character display on a side-mounted control panel with a thermal printer. Help screens for programming and trouble shooting alarm conditions. Cycle data can be printed, captured to a remote personal computer or logged to memory.

Serial Data Output GC11

Supervisory use to capture electronic record of each sterilization cycle. Cycle hard copy and display data is transmitted via RS232 in real time to a remote computer, up to 100 feet away, for display and recording. Hard copy records may be printed from the computer. Available on both control systems

Authorized User Access GC32

Restricts operation of sterilizer to authorized personnel and provides supervisor with PIN number of person running the cycle.

Remote Mount Control Panel GC10

Mount control panel in separate housing adjacent to or up to 100 feet away from the sterilizer. Available on both control systems.

Display & Record in PSIA GC25

Pressure values are displayed and recorded in pounds per square inch absolute in lieu of standard gauge pressure (PSIG).

Thermal Printer GR7

Thermal dot-matrix printer with take-up reel and 32 character per line printing is standard. Second sterilization cycle report available at the end of the run.

BIO-CONTAINMENT OPTIONS

Effluent Controlled Configuration GP8

For use in high-risk biohazard applications including BSL-3 laboratories. All effluent is either filtered or contained within the chamber until completion of the sterilization phase of the cycle. In addition to a specially designed chamber, GP8 option includes special components making it suitable for biohazard application. *Contact PRIMUS for details and performance specifications.*

BioSeal Flange GV6

Provides a means of isolating load from the unload ends of the sterilizer. A vapor-proof flange is welded to the vessel on both sides of the flange and around its full circumference. Penetrations through the flange for electrical and piping components are secured with vapor proof fittings.

BioSeal Panels GV7

Aluminum panels for attachment to, and extending from, the BioSeal Flange to adjacent building surfaces to complete the barrier between either end of the sterilizer.

	GV7	BioSeal Extension Panels, Aluminum
	GV10	BioSeal Extension Panels, SS

Compressed Air to Gasket GP10

Compressed air, in lieu of steam, is used to seal gasket against door interior during cycles. Prolongs gasket life. Requires compressed air utility service or option GEAC air-compressor.

Remote Signaling of Sterilizer Status GC23

Control relay connection enabling operation of a remote signaling device for an alarm condition. Alarm conditions many include Door Open, Door Closed and Cycle complete. Signal may be used to activate a buzzer, light or any other On-Off device.

GENERAL OPTIONS

Validation Port, 2 inch GV5

Provides chamber penetration to accommodate various monitoring/control probes. Standard on all models.

Seismic Restraints GV8

Required in areas prone to seismic hazards. Secures sterilizer to building but allows for leveling. Designed to current California Code.

Electric Vacuum Pump GP4

This water-sealed electric vacuum pump provides an alternative means of drawing a vacuum, in lieu of the standard water ejector. Standard on sterilizers with chamber capacity over 80 cubic feet (models N, O, P and Q). Check PRIMUS' General Arrangement drawing to assure the required ancillary equipment space is provided.

Drain Line Strainer/Valve GP25

Provides a means to trap and expel debris from the chamber drain line to protect heat exchanger from damage.

Floor Mounted GFM

Replaces standard Pit Mount. Special order 'Floor Mounted' with ramp or carriage/cart.

Air Compressor GEAC

For sterilizers less than 75 cu. ft., air compressor mounted on sterilizer frame, for use when house supplied air is required but not available. Not available if Air-Over Option GP11 is specified.

UTILITY - RELATED OPTIONS

Boost Pump for Low House Water Pressure GP3

Delivers required dynamic water pressure for efficient operation. Requires specified GPM flow. *Contact PRIMUS for details and performance specifications.*

Step Down Transformers GE1

Reduces line voltage to required 110 VAC for operation of sterilizer controls.

GE1A	220 VAC to 110 VAC
GE1B	480 VAC to 110 VAC
GE1C	480/240 to 240/120 VAC, 1 phase, 0.5 KVA

Uninterruptible Power Supply GE2

In the event of electrical power loss and no emergency electrical power to sterilizer, this option provides electrical power to operate control system for up to 30 minutes, to complete the cycle.

Water Recirculation Conservation System GP24

Provides water conservation through the use of Chilled Water versus City Water to cool drain effluent. Additional water conservation is provided by reusing the cooled drain effluent for the water ring seal on the vacuum pump.

LOADING EQUIPMENT

Loading cart includes one bottom and one intermediate shelf with four adjustable levels. Additional shelves are available. Cart frames and shelves are 316L stainless steel welded, ground and polished. Shelf surfaces are stainless steel wire mesh. Transfer carriages include swivel casters with swivel locks and 5" wheels with wheel brakes. Loading cart and transfer carriages are recommended for chamber lengths greater than 48 inches. Pit Mounted units with chamber length equal or greater than 60" use one set of 2 floor carts.

GL4	Loading Cart
GL5	Additional Cart Shelf
GL6	Transfer Carriage
GL7	Floor Cart
GL8	Additional Floor Cart Shelf

Contact PRIMUS for special loading equipment requirements.

*“PRIMUS Sterilizer...
...First In Quality Sterilization Products”*



*QUALITY AND INTEGRITY FORM THE FOUNDATION OF
PRIMUS STERILIZER CO., INC.
OUR VISION FOR CONTINUAL IMPROVEMENT IS REALIZED
THROUGH THE ESTABLISHMENT OF QUALITY OBJECTIVES
ACHIEVED THROUGH TEAMWORK WITH A GOAL OF
RETURNING SIGNIFICANT VALUE TO OUR CUSTOMERS.*



PRIMUS Sterilizer Co., Inc. • 117 South 25th Street • Omaha, NE 68131

PRIMUS Specification Data Worksheet

Complete the following by selecting the options or transferring those checked on preceding pages, required to meet your needs. Tear off and forward completed worksheet to PRIMUS Sales Department, fax 402-344-4251, or your local PRIMUS Representative. If you do not find an option or size listed to meet your requirement, please contact our Sales Department for additional information and assistance with a custom design to meet your specifications.

PRIMUS MODEL NUMBER		QUANTITY	
PROJECT NAME			
PROJECT ADDRESS			
COMPANY NAME		PHONE	
CONTACT NAME		FAX	
CONTACT EMAIL			
SPECIFICATION SECTION		ITEM NO.	
SHOWN ON DRAWING NO.		ROOM NO.	
PRIMUS QUOTE NO.			

SPECIFICATION DATA

GENERAL CONFIGURATIONS	
GDA	Single Door
GDB	Double Door
GCD	Cabinet, 2 sides
GCCL	Cabinet, 1 Side Left
GCCR	Cabinet, 1 Side Right
GCA	Recessed, 1 Wall
GCB	Recessed, 2 Wall
NPN	Left Side Service (Std)
GC30	Right Side Service Access & Control
GC31	Control Panel opposite side of Service
GPM	Pit Mounted (Std)
GFM	Floor Mounted (Special Order with ramp or carriage/cart)
STEAM SOURCE	
GEB1	Boiler, 208/3ph
GEB2	Boiler, 240/3ph
GEB3	Boiler, 480/3ph
GBC1	Clean Steam, 208/3ph
GBC2	Clean Steam, 240/3ph
GEB3	Clean Steam, 480/3ph
GSCS1 ³	Pure Steam Double Tube, Sanitary
GSCS2	Clean Steam Single Tube
GSCS3 ³	Clean Steam Single Tube, Sanitary
GEBO	Automatic boiler blow-down
RESEARCH & LABORATORY OPTIONS	
GP9	Clean Steam to Chamber, SS Threaded Piping
GP9.1	Clean Steam to Jacket, SS Threaded Piping
GP14	Low Temperature Flowing Steam
GP11	Air-Over Cooling
GC24	Single Load Probe
CONTROLS & RELATED OPTIONS	
GC6	PSS500 Control (Standard)
GCT	PSS8 Trinity Control
GC1 ³	PSS6 Pri-Matic® Control System
GC1.1	PSS7 ControlLogix Control System

CONTROLS & RELATED OPTIONS (con't)	
GC11	Serial Data Output
GC32	Authorized User Access
GC10	Remote Mount Control Panel
GC25 ¹	Display/Print PSIA
GR7	Thermal Printer, 32 Character (Std)
BIO-CONTAINMENT OPTIONS	
GP8	Effluent Sterilization Configuration
GV6	One BioSeal Flange
GV7	BioSeal Extension Panels, Aluminum
GV10	BioSeal Extension Panels, SS
GP10	Compress Air to Gasket
GC23	Remote Alarm Signal
GENERAL OPTIONS	
GV5	Validation Port, 2.0" diameter
GV8	Seismic Restraint
GP4	Electric Vacuum Pump, (Std Models N, O, P, and Q)
GP25	Drain Line Strainer/Valve
GEAC	Air Compressor
UTILITY - RELATED OPTIONS	
GP3	Boost Pump for Low House Water
GE1A	Step Down Transformer from 220V to 110V
GE1B	Step Down Transformer from 480V to 110V
GE1C	Step Down Transformer from 480/240 to 240/120V, 1 ph, 0.5KVA
GE2	UPS maintains sterilizer operation for 30 minutes during power outage
GE3	GFI Receptacle
GP24	Water Recirculation Conservation System

- 1. PSS500 Control Only
- 2. Pri-Matic® Control Only
- 3. Validatable Option Only
- Std = Standard Component
- SS = Stainless Steel
- CIP = Clean-in-Place
- N/A = Not Available

(Continue on the next page)

Specification Data Worksheet (con't)

LOADING EQUIPMENT	
GL4	Loading Cart
GL5	Additional Cart Shelves
GL6	Transfer Carriage
GL7	Floor Cart (chamber lengths greater than 60" use 1 set of 2 floor carts)
GL8	Additional Floor Cart Shelves
OTHER CONTROL OPTIONS	
GC2 ³	Pri-Matic® F ₀ control F ₀ accumulated, 4 points
GC5 ³	Conax Adaptor
GC7 ^{2,3}	Second PanelView 1000 w/ DH+
GC8 ^{2,3}	SCADA Data File
GC9 ¹	Display Centigrade
GC12	Chamber Condensate Alarm
GC13 ^{2,3}	Sterilize Filter as a Cycle.
GC14 ^{2,3}	WFI Interface
GC15 ^{2,3}	Pri-Matic® in NEMA 12 enclosure (Dustproof)
GC15.1 ³	Stainless Steel Enclosure for Pri-Matic Control Panel
GC16 ^{2,3}	Pri-Matic® mounted in NEMA 4 Enclosure (Waterproof)
GC16.1 ^{2,3}	Pri-Matic® mounted in NEMA 4X SS Enclosure
GR1	Impact Printer, Flush Mount 24 Col.
GR3 ³	Strip-Chart Recorder
GR4	Thermal Printer, Take-up Reel
GR4.1	Thermal Printer, Flush Mount 24 Col.
GR5 ³	Circular Chart Recorder
GR6	Impact Printer, 24 Column

- 1. PSS500 Control Only
- 2. Pri-Matic® Control Only
- 3. Validatable Option Only
- Std = Standard Component
- SS = Stainless Steel
- CIP = Clean-in-Place
- N/A = Not Available

OTHER CONTROL OPTIONS (con't)	
GC17 ³	Sterilizer "OFF" Signal
GC18 ³	Sterilizer "In-Cycle" Signal
GC19	Chamber Drain Temperature, Remote Digital Display
GC23 ^{2,3}	Remote Alarm Signal
GC26 ^{2,3}	PanelView 550, Service Area
GC27 ^{2,3}	PanelView(s) Color
GC28 ^{2,3}	Ethernet PLC
OTHER PIPING OPTIONS	
GP1	Heated Air-In, Heat Exchanger SS
GP2	Heated Air-In, Heat Exchanger Non-SS
GP5 ³	Safety Valve Over Rupture Disk
GP7 ³	Condensate Sampling Valve
GP13	Precise Temperature Control +/- .5°C (S3)
GP15 ³	CIP Piping for Sanitary Chamber
GP16 ^{2,3}	Air to Jacket Cooling
GP18 ³	Passivate Chamber
GP19 ³	Passivate Chamber and Piping
GP20 ³	Steam Quality Sampler
GP21 ³	Adapters, Sanitary to Threaded
GP24	Water Recirculation Conservation System
VESSEL OPTIONS	
GV1	Stainless Steel Frame
GV2	Jacket Type, 316 L SS
GV3	Jacket Insulation Cover, SS
GV8	Seismic Restraints
GV9 ³	Chamber Welds Ground and Polished
GV10	BioSeal Panels, Stainless
GV12 ³	Additional Validation Port
GC3 ³	Blind Flange Assembly, Sanitary fittings
GC4	Jacket Pressure Display, Analog
GMP DOCUMENTATION OPTIONS	
GD1 ³	GMP Validation Documentation
GD2 ³	IQ/OQ Protocol, PSS500
GD3 ³	IQ/OQ Protocol, Pri-Matic®

YOUR LOCAL PRIMUS REPRESENTATIVE:

FOR ADDITIONAL ASSISTANCE

To discuss your sterilization design needs or to request a Sterilizer Design Guide, please contact PRIMUS.

Manufacturer reserves the right to modify materials or specification without notice.



PRIMUS Sterilizer Co., Inc. • 117 South 25th Street • Omaha, NE 68131